

INSTRUCTION MANUAL



KEPCO An ISO 9001 Company.

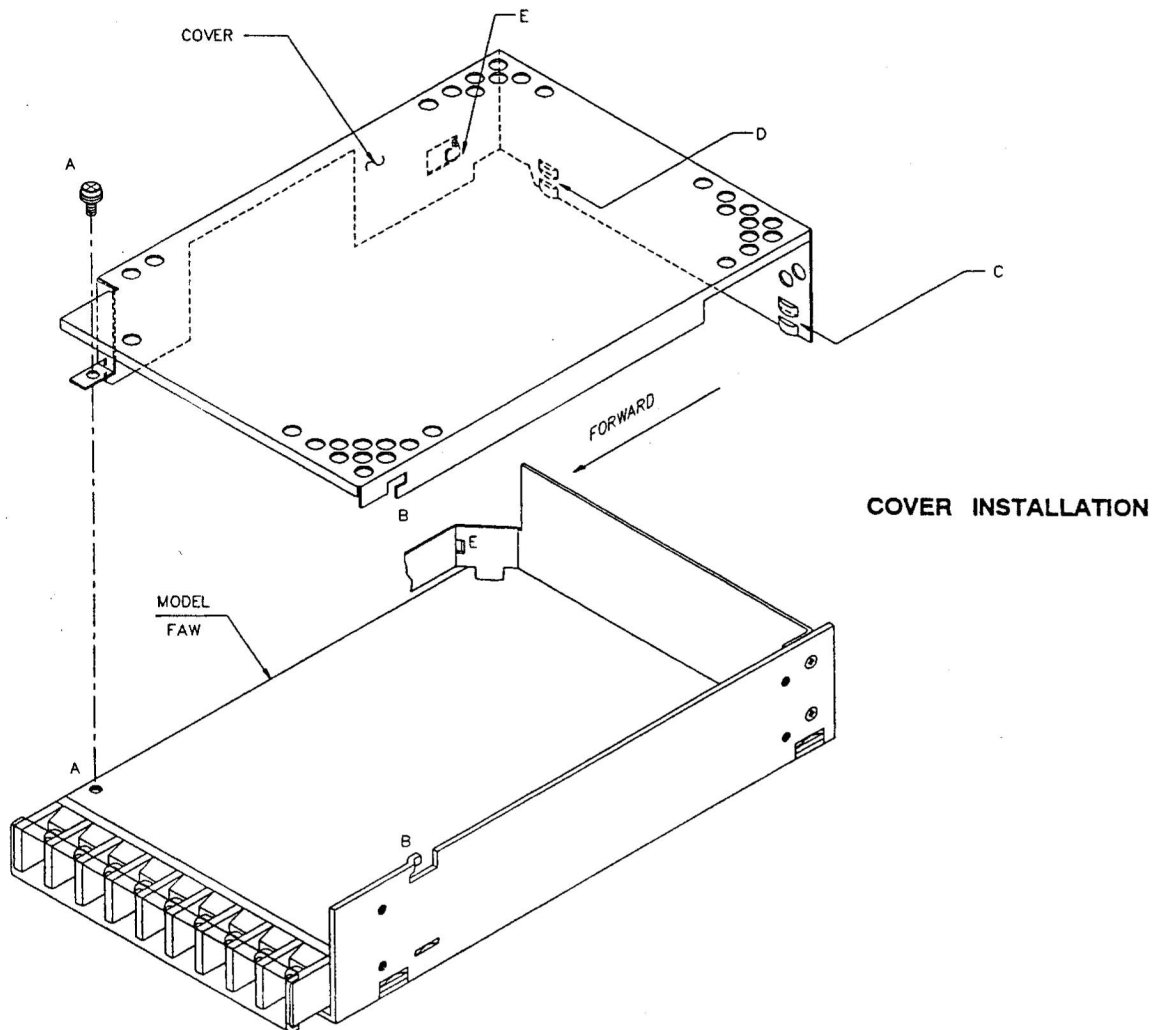
CA-28
COVER

ENCLOSURES AND HARDWARE SYSTEMS

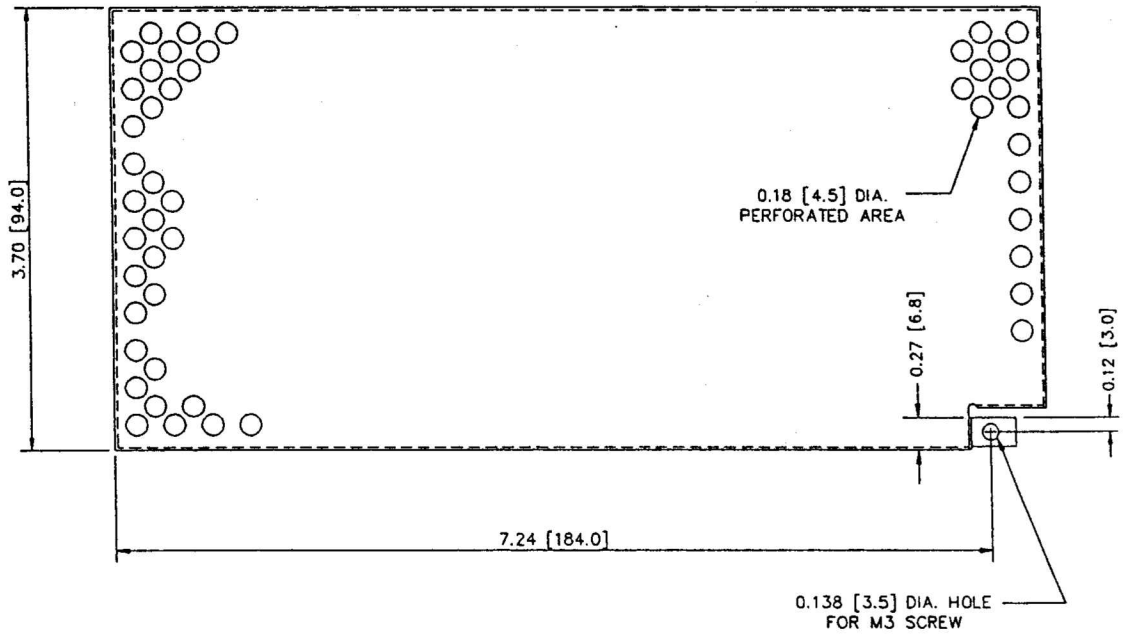
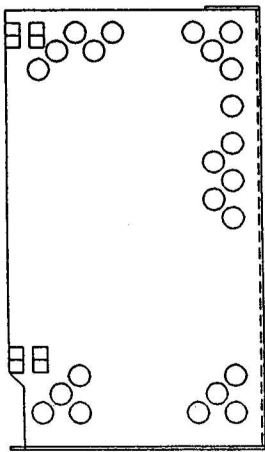
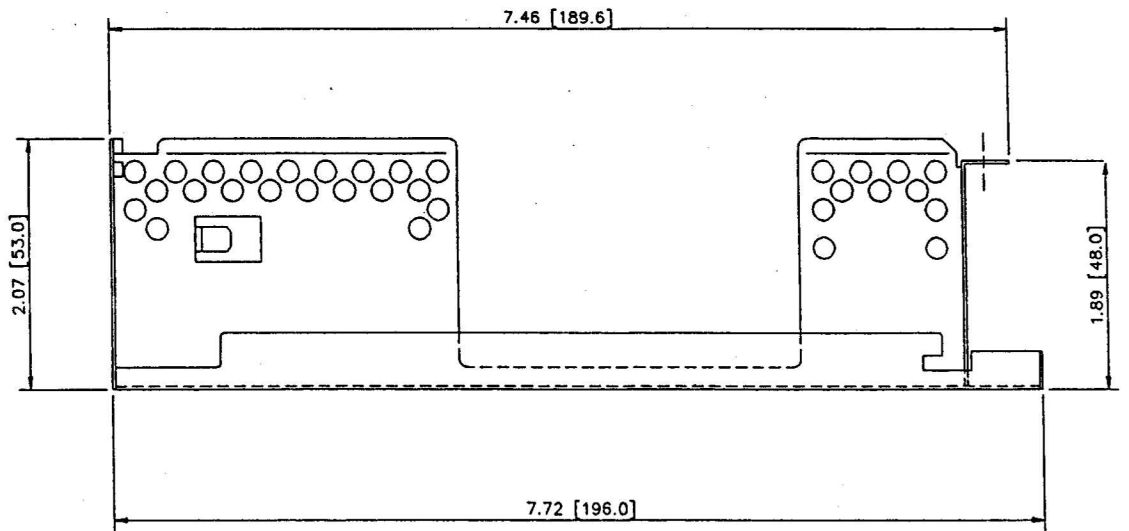
Description: The Kepco Model CA-28 cover is supplied for use with the Kepco FAW 150 Watt series of switching power supplies. The easily installed finished steel one-piece cover is a separate option designed for shielding and protection. The cover is attached with one screw from the FAW 150W PCB Mounting.

Installation:

1. Remove PCB mounting screw marked (A) along with lock-washer and flat-washer, and set aside.
2. Attach cover: Engage the cut-out marked B on the cover with the tab B on the FAW 150W chassis, apply a slight downward pressure at this interlock point and push the cover forward. When the CA-28 cover is properly installed, the PC board of the Power Supply will fit into slits C and D (each slit is positioned between two dimple-like hinges). The cut-out tab, E on the cover will fit into a mating hole, E on the Power Supply frame (the section that is attached to the heat sink). The mounting hole in the cover (A) will then line up with the mounting hole in the FAW 150W PC Card marked (A).
3. Fasten cover with screw marked (A).



KEPCO, INC. ● 131-38 SANFORD AVENUE ● FLUSHING, NY. 11352 U.S.A. ● TEL (718) 461-7000 ● FAX (718) 767-1102
<http://www.kepcopower.com> ● email: hq@kepcopower.com



NOTES:

1. MATERIAL: 0.024 (0.6) CRS., ALTERNATE: GALVANIZED STEEL
2. FINISH: ZINC PLATED, CHROMATE WASH.
3. DIMENSIONS: IN PARENTHESES ARE IN MILLIMETERS, OTHERS IN INCHES.
4. TOLERANCE: ± 0.04 (± 1) UNLESS OTHERWISE SPECIFIED.

MECHANICAL OUTLINE DIAGRAM OF THE CA-28 COVER